

# INSTALLATION INSTRUCTIONS

## Zoron Ceiling Mount

C4RT, C4ST, C4RL, C4SL



### CAUTION: TO PREVENT ELECTRICAL SHOCK, ENSURE ELECTRICITY HAS BEEN TURNED OFF AT THE CIRCUIT BREAKER BEFORE BEGINNING.

- Read all instructions before installing.
- System is intended for installation by a licensed electrician in accordance with the National Electrical Code (NEC) and local regulations.
- When handling the fixture, do not apply pressure to the LEDs. Hold the fixture by the base only.
- Retain installation instructions for future maintenance reference.

**WARNING:** All parts must be used as indicated in these instructions. This product is designed for use only with the supplied parts and/or accessories designated for use by WAC Lighting. Substitution of parts or accessories not designated for use with this product by WAC Lighting could result in personal injury or property damage, and will void the warranty. Contact an authorized dealer or the manufacturer if any parts are damaged or missing.

### MISE EN GARDE: POUR ÉVITER TOUT CHOC ÉLECTRIQUE, ASSUREZ-VOUS QUE LE DISJONCTEUR SOIT MIS HORS TENSION AVANT DE COMMENCER.

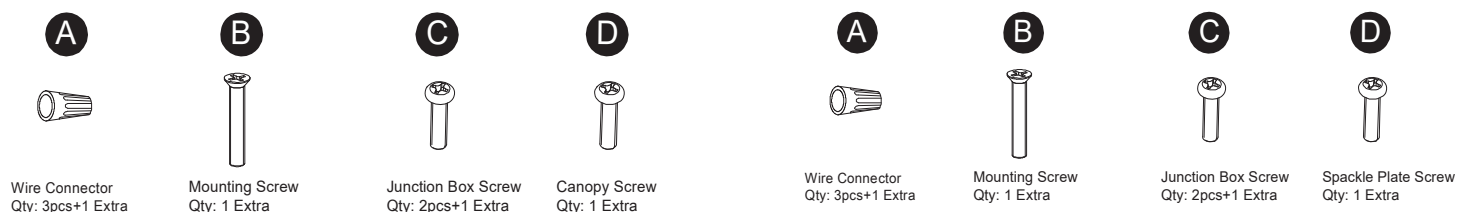
- Lisez toutes les instructions avant l'installation.
- Le système doit être installé par un électricien licencié conformément au code national de l'électricité (NEC), et également aux règlements locaux.
- Lors de la manipulation du luminaire, n'appuyez pas sur les LED. Tenez-le uniquement par la base.

**ATTENTION:** Toutes les pièces doivent être utilisées comme indiqué dans ces instructions. Ce produit est conçu pour être utilisé seulement avec les pièces et/ou accessoires fournis pour être utilisés avec les produits WAC Lighting. Remplacer des pièces ou accessoires non conçus pour ce produit WAC Lighting pourrait causer des dommages corporels ou matériels et pourrait également causer l'annulation de la garantie. Veuillez contacter un revendeur autorisé ou le fabricant si des pièces manquent ou sont endommagées.

### FIXTURE OVERVIEW

Monopoint is intended for direct surface mount installation to an NEC approved junction box.

### HARDWARE



### C4RT, C4ST

### C4RL, C4SL

SPECIFICATIONS	
Input:	120-277V, 50/60Hz
Installation:	3/0, 4/0 Junction Box
Dimming:	ELV, TRIAC, 0-10V

waclighting.com  
Phone (800) 526.2588  
Fax (800) 526.2585

Headquarters/Eastern Distribution Center  
44 Harbor Park Drive  
Port Washington, NY 11050

Central Distribution Center  
1600 Distribution Ct  
Lithia Springs, GA 30122

Western Distribution Center  
1750 S Archibald Avenue  
Ontario, CA 91760



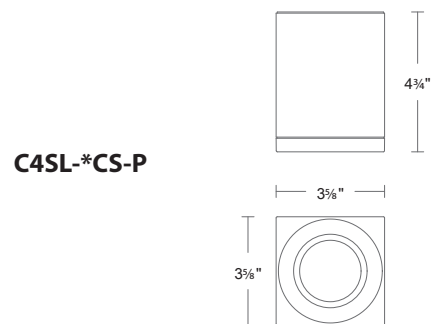
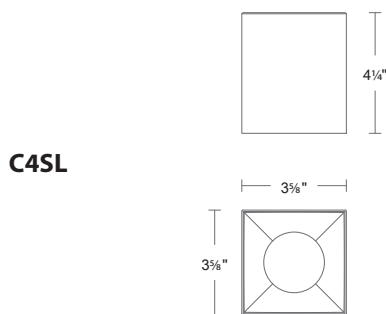
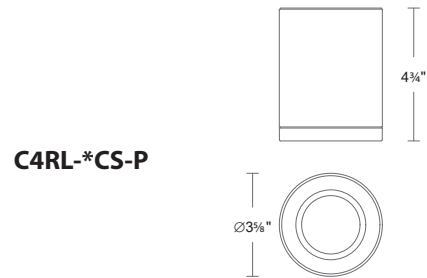
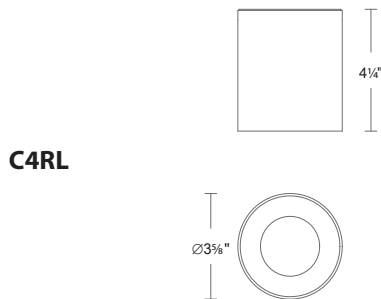
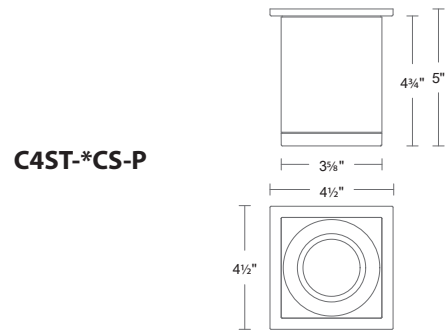
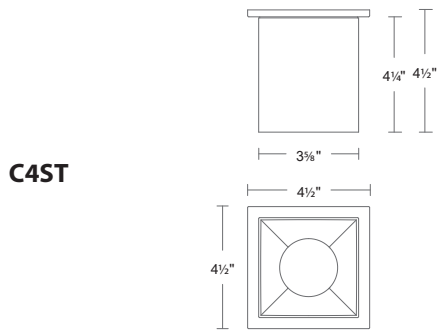
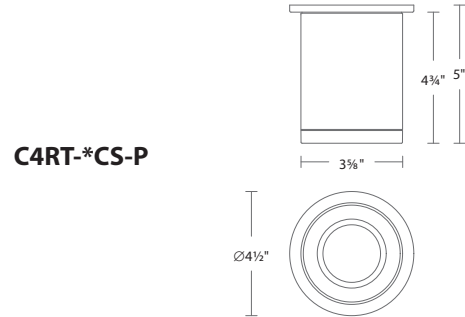
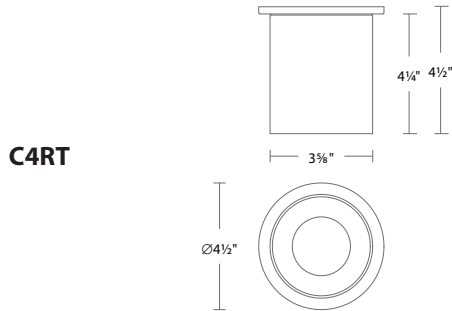
# INSTALLATION INSTRUCTIONS

## Zoron Ceiling Mount

C4RT, C4ST, C4RL, C4SL



### OVERALL FIXTURE DIMENSIONS



waclighting.com  
Phone (800) 526.2588  
Fax (800) 526.2585

Headquarters/Eastern Distribution Center  
44 Harbor Park Drive  
Port Washington, NY 11050

Central Distribution Center  
1600 Distribution Ct  
Lithia Springs, GA 30122

Western Distribution Center  
1750 S Archibald Avenue  
Ontario, CA 91760



# INSTALLATION INSTRUCTIONS

## Zoron Ceiling Mount

C4RT, C4ST, C4RL, C4SL

# WAC

### TRIMMED INSTALLATION: (C4RT, C4ST)

For trimless (C4RL, C4SL) installation, skip to page 4.

### PREPARATION:

1. Shut off the power at the circuit breaker and remove any existing fixture, including its mounting plate.
2. Carefully unpack the new fixture and lay out all the parts in a clear area.

### INSTALLATION:

1. Secure the mounting back plate to the junction box using the appropriate junction box screws (C) (See **FIG. 1**).
2. Secure the trimmed cover plate to the mounting back plate with the canopy screws (D) (See **FIG. 1**).

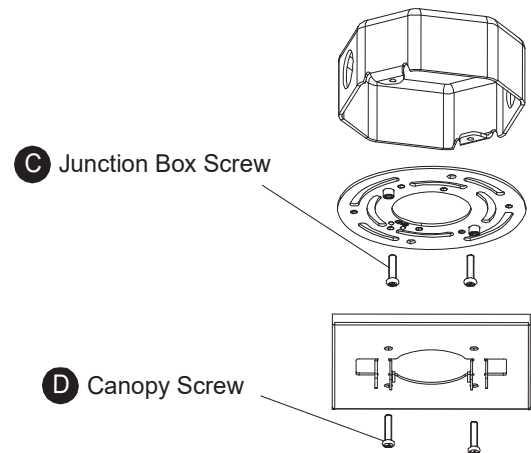
**IMPORTANT:** if mounting the **SQUARE** fixture, ensure the mounting back plate is properly oriented so the trimmed cover plate aligns to the nearest wall.

3. Connect fixture wires to the corresponding building wires with the included wire connectors (A) according to the table in **FIG. 2**. Select the desired color temperature with the switch located at the top of the fixture.

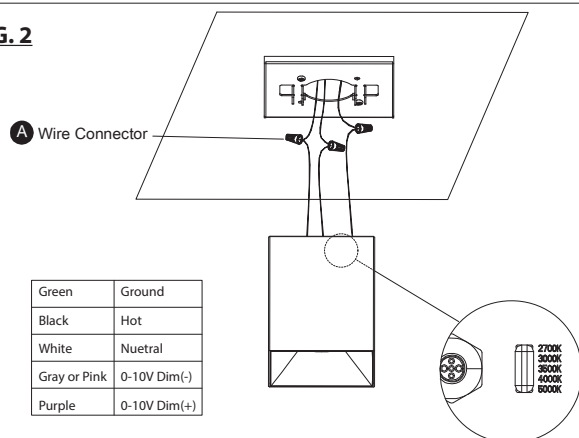
4. Lift fixture up to the trimmed junction box cover plate. Push each mounting screw (B) in from either side until it stops (See **FIG. 3**). The fixture is now supported.

5. Secure the fixture by tightening both mounting screws (B).

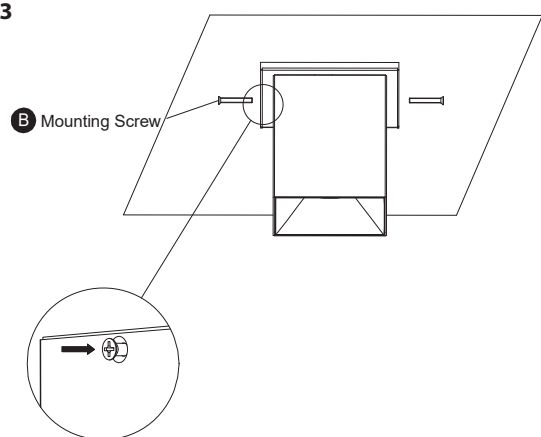
**FIG. 1**



**FIG. 2**



**FIG. 3**



# INSTALLATION INSTRUCTIONS

## Zoron Ceiling Mount

C4RT, C4ST, C4RL, C4SL



### TRIMLESS INSTALLATION: (C4RL, C4SL)

For trimmed (C4RT, C4ST) installation, return to page 1.

### PREPARATION:

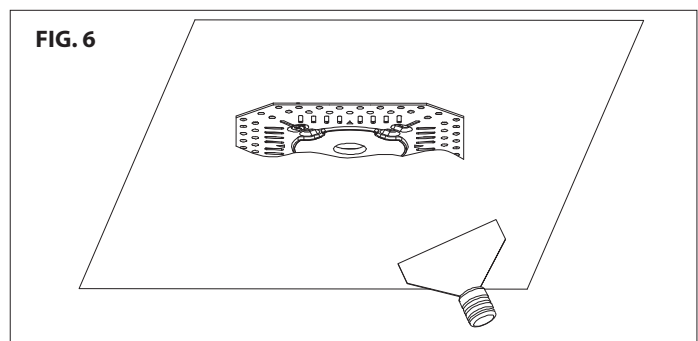
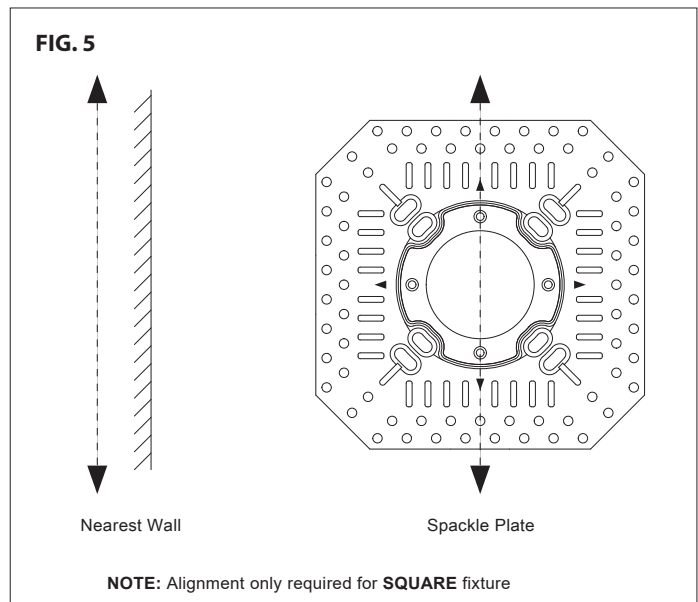
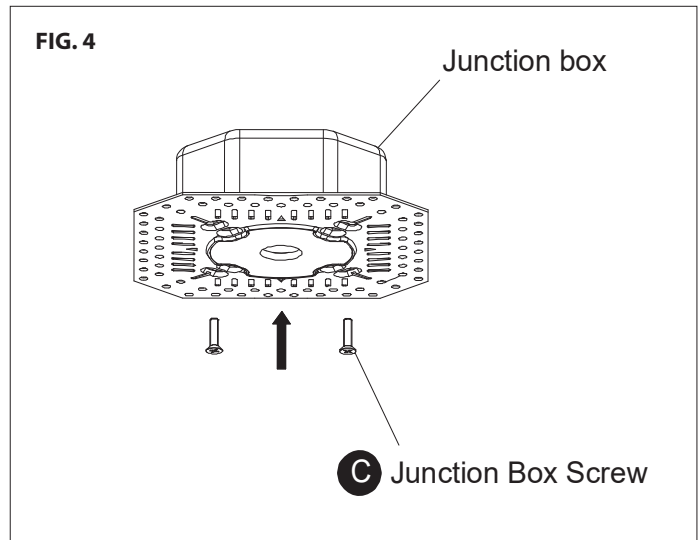
1. Shut off the power at the circuit breaker and remove any existing fixture, including its mounting plate.
2. Carefully unpack the new fixture and lay out all the parts in a clear area.

### INSTALLATION:

1. Secure the spackle plate to the junction box using the appropriate junction box screws (C) (See **FIG. 4**).

**IMPORTANT:** if mounting the **SQUARE** fixture, ensure the spackle plate is properly oriented so the fixture will align to the nearest wall. Use the triangular arrows on the spackle plate as a guide. (SEE **FIG. 5**)

2. Apply spackle over the trimless spackle plate. Sand and finish to match ceiling (See **FIG. 6**).



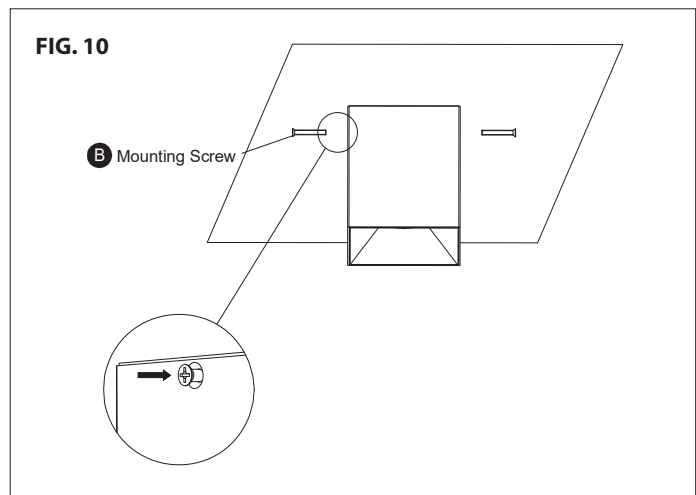
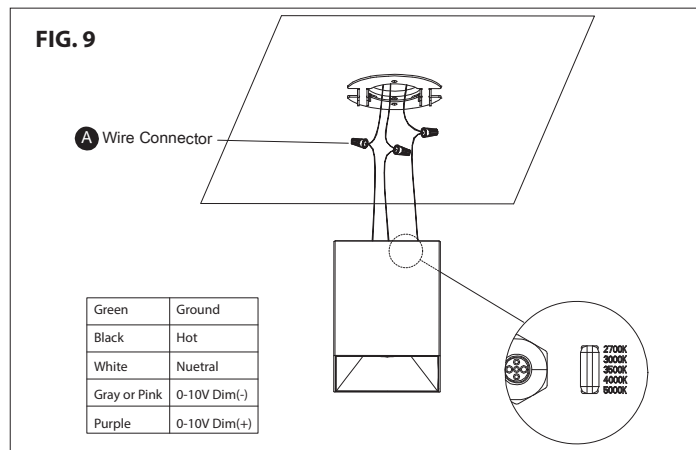
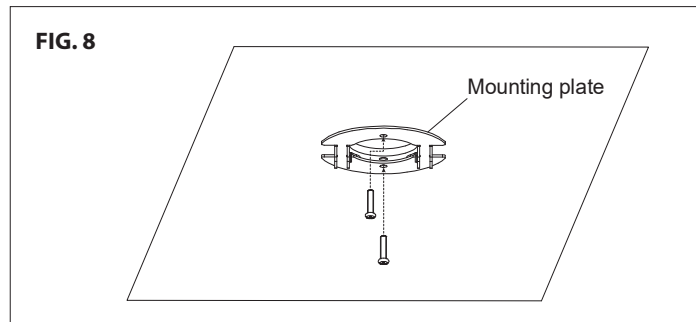
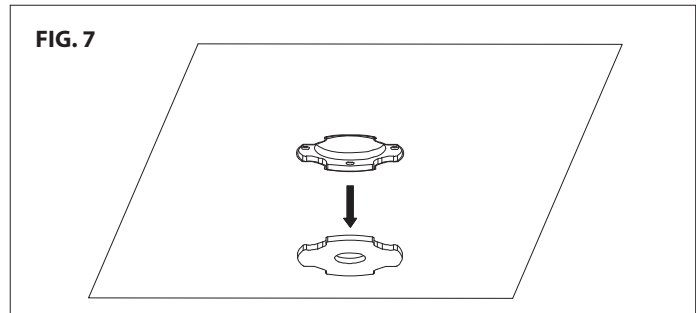
# INSTALLATION INSTRUCTIONS

## Zoron Ceiling Mount

C4RT, C4ST, C4RL, C4SL

# WAC

3. Remove the foam spackle shield when finishing is complete (See **FIG. 7**).
4. Secure the mounting back plate to the spackle plate using the appropriate spackle plate screws (D) (See **FIG. 8**).
5. Connect fixture wires to the corresponding building wires with the included wire connectors (A) according to the table in **FIG. 9**. Select the desired color temperature using the switch located at the top of the fixture.
6. Lift the fixture up to the mounting plate. Push each mounting screw (B) in from either side until it stops (See **FIG. 10**). The fixture is now supported.
7. Secure the fixture by tightening both mounting screws (B).



waclighting.com  
Phone (800) 526.2588  
Fax (800) 526.2585

Headquarters/Eastern Distribution Center  
44 Harbor Park Drive  
Port Washington, NY 11050

Central Distribution Center  
1600 Distribution Ct  
Lithia Springs, GA 30122

Western Distribution Center  
1750 S Archibald Avenue  
Ontario, CA 91760

